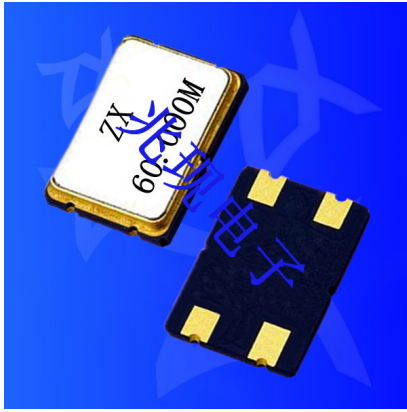


SMD TYPE CERAMIC (SMD 7 x 5)



Application of SMD crystal

- Radio communication
- CRYSTAL
- Office automation equipment
- GPS
- Audio-visual equipment

{Features}

Seam welding
 Excellent solderability
 Automatic and perfect packing due to emboss taping
 Excellent vibration resistance & shock resistance
 Rohs compliant / Pb free



Electrical Specification:

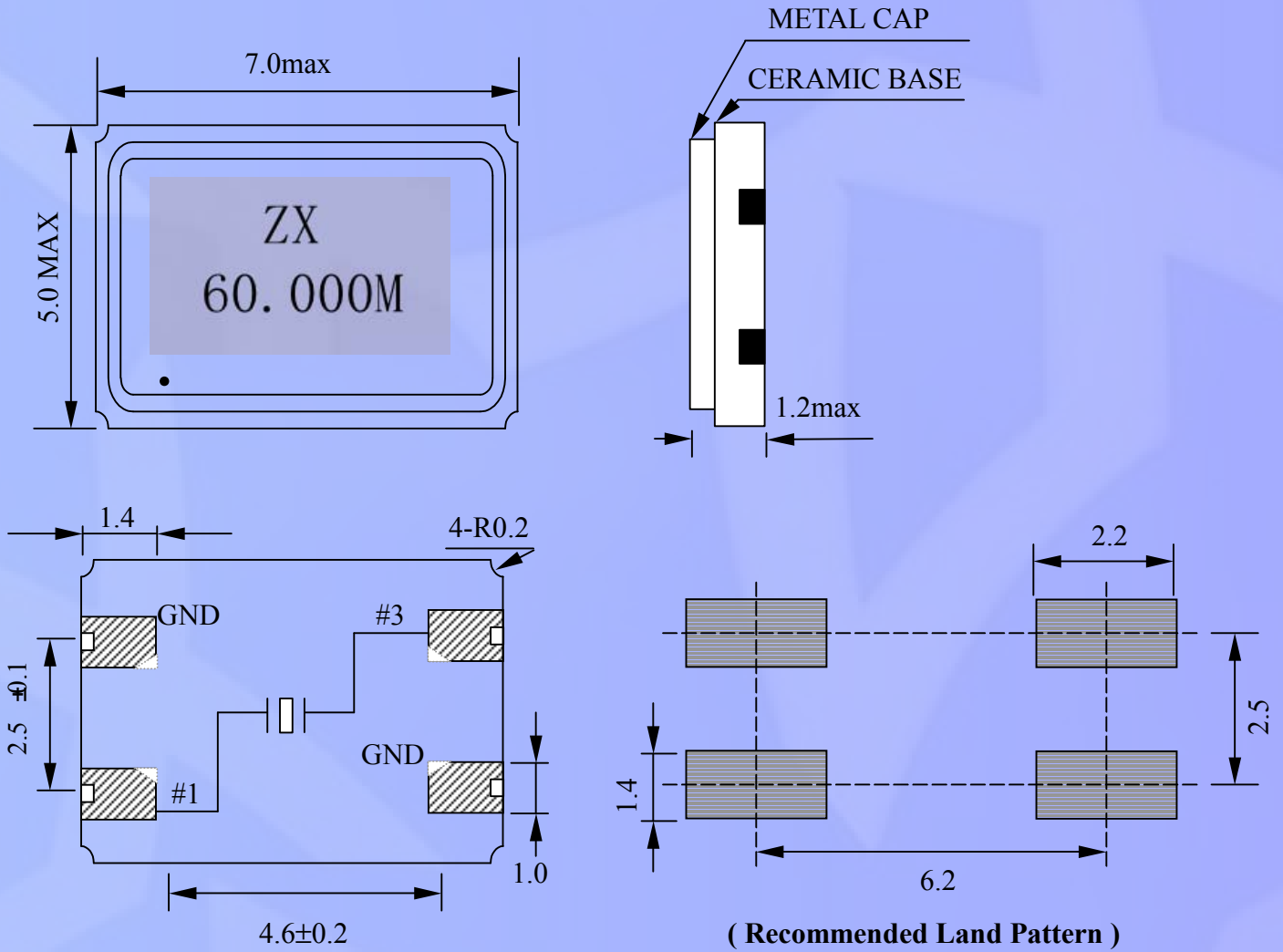
Model	ZX-7050
1.Frequency	
Frequency Range	6.0 ~ 125.000 MHz
Frequency Tolerance at 25 °C ±2 °C	±10 ~ ± 100 ppm (TYP.)
Frequency Stability Over Operating Temp Range	±10 ~ ± 100 ppm (TYP.)
2.Environmental Condition	
Operating Temp Range	-10 °C~ +60 °C,-20 °C~ +70 °C or customer requirement
Storage Temp Range	-40 °C ~ +85 °C
Aging Rate	± 3ppm/year
3.Electrical Specifications	
Test Circuit	S&A 250B
Load Capacitance	6 pF ~ 32 pF, series or special
Drive Level	1uW ~ 100uW or special
Shunt Capacitance	7.0pF max

Equivalent Series Resistance(ESR) VS Frequency:

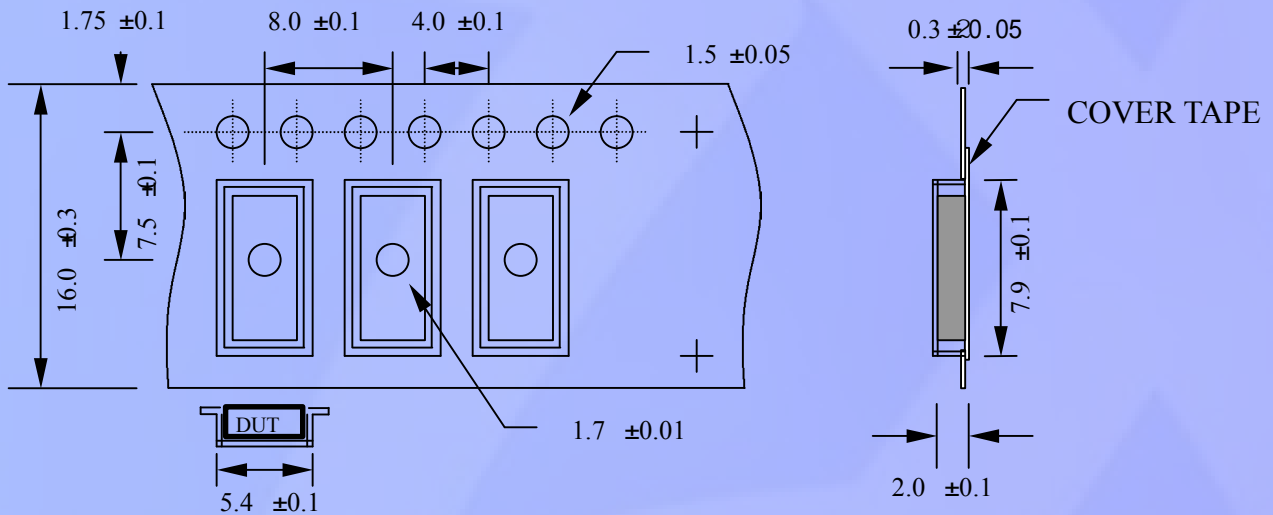
Frequency (MHz)	Oscillation Mode	ZX-7050
6.0 ~ 10.0	Fundamental	110
10.1 ~ 22.0	Fundamental	80
22.1 ~ 40.0	Fundamental	40
40.1 ~ 125.0	3rd overtone	80

* Above specification subject to change without prior notice, please consult our sales representative for more information <http://www.zhaoxiandz.com>

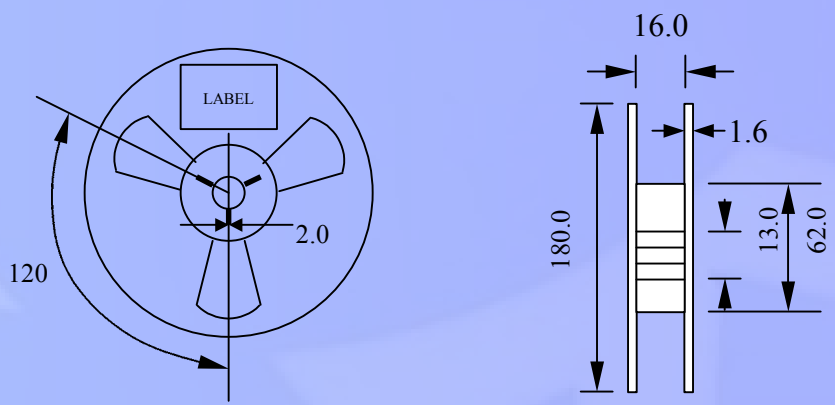
Dimensions (mm):



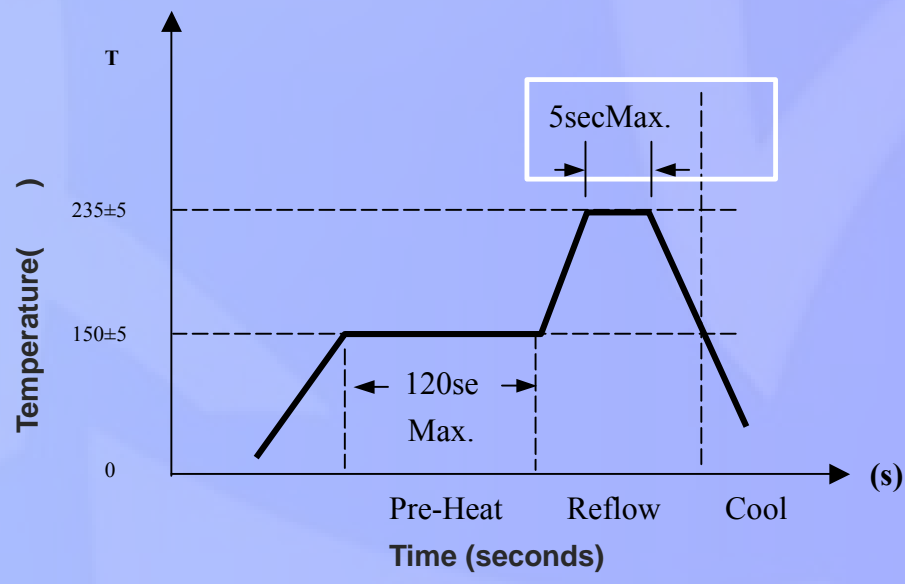
Tape specification: (Unit: mm)



Reel packing: (Unit: mm)



Reflow Temperature profile:



* Above specification subject to change without prior notice, please consult our sales representative for more information <http://www.zhaoxian.com>